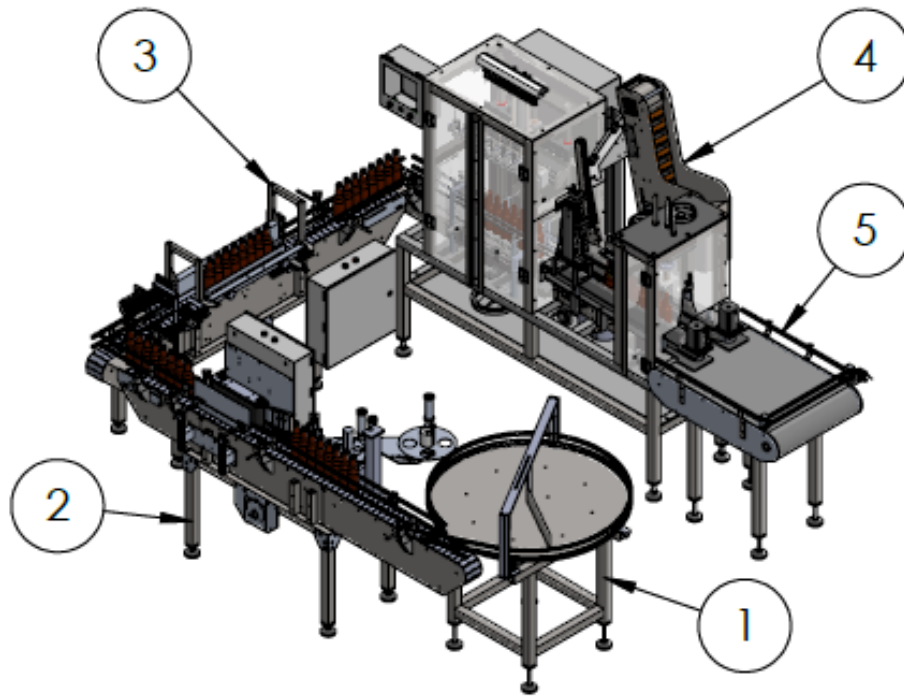


Micro Line

Infeed ~ Labeler ~ Rinser ~ Filler ~ Crowner ~ Collection

The Micro Line is a complete bottle packaging line that allows you to place an empty bottle onto an infeed table and never touch it again until you are packing it out in cases! A complete line can label the bottles, rinse out the inside, fill to adjustable fill heights, crown bottle, and rinse-off any foam off the outside of the bottle. Additional equipment can be added to the line to blow-off the rinse, align the bottles into rows that allow for convenient pack-out, or even cap or cork the bottles.



Micro Line (as shown):

1. 42" Rotary Table
2. 700VS Labeler
3. Bottle Rinser
4. Filler/Crowner
5. 2' x 3' Accumulation Table

Every machine in the line is fully adjustable from 12oz to 750mL bottles

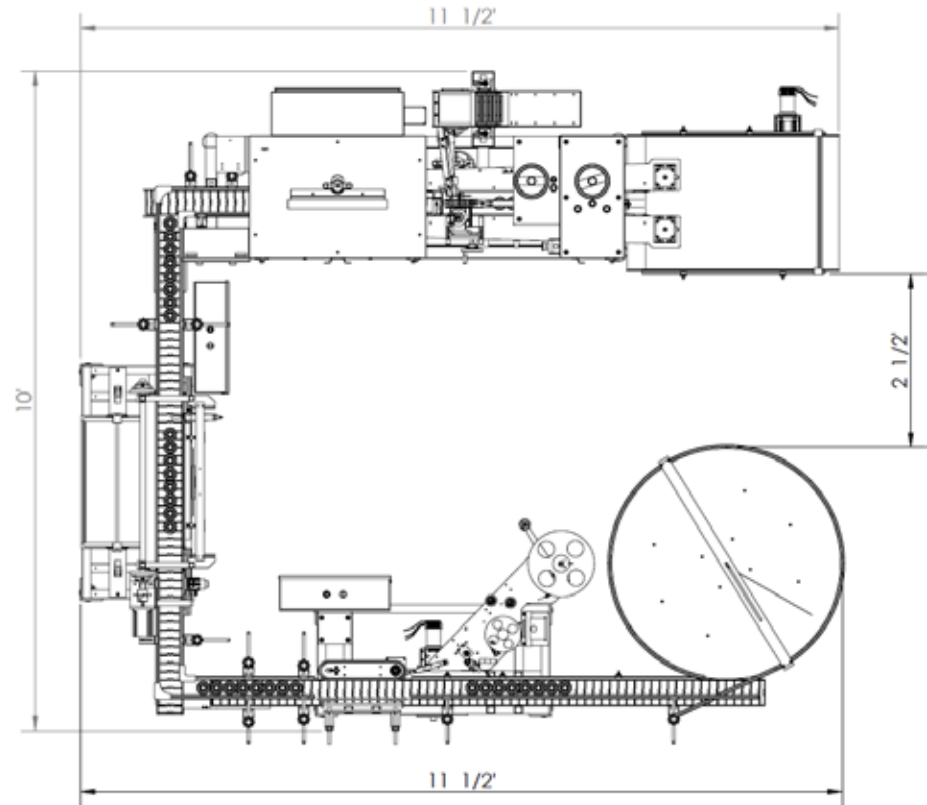
- 4-Head: ~16 bottles/min | 40 cases/hr
 - 6-Head: ~24 bottles/min | 60 cases/hr
 - 8-Head: ~32 bottles/min | 80 cases/hr
- *Speeds based on averages

About us

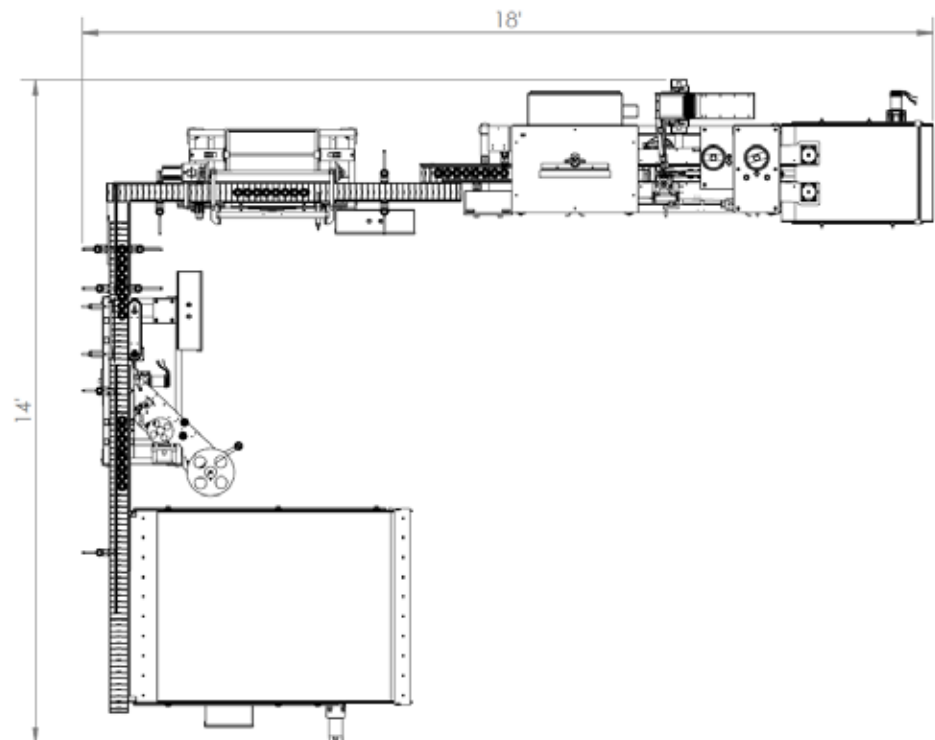
Inpakt Group is no longer just a labeling company (although we are still one of the top companies in this industry); we also provide a wide range of products from bottle and can fillers, to rinsers, and much more! Bottom line: we provide a full packaging line that allows you to place bottles or cans onto an infeed table and never touch them again until you are packing them out into cases.

Layout Options:

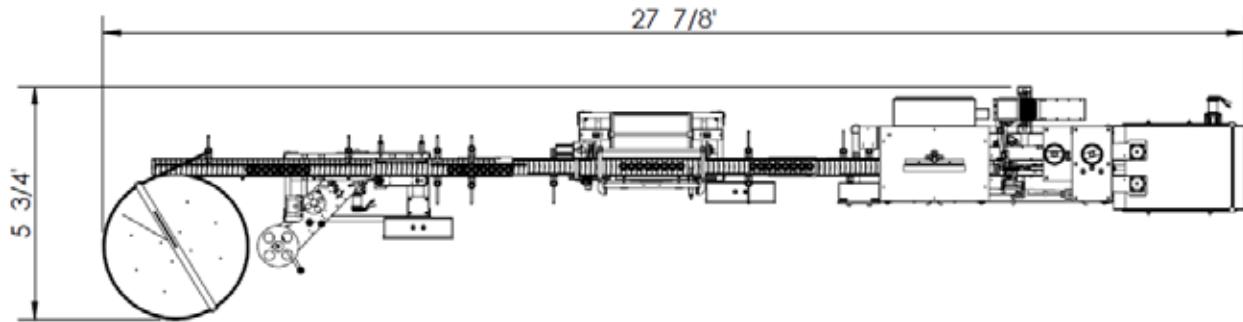
Option 1: U-Shape Layout



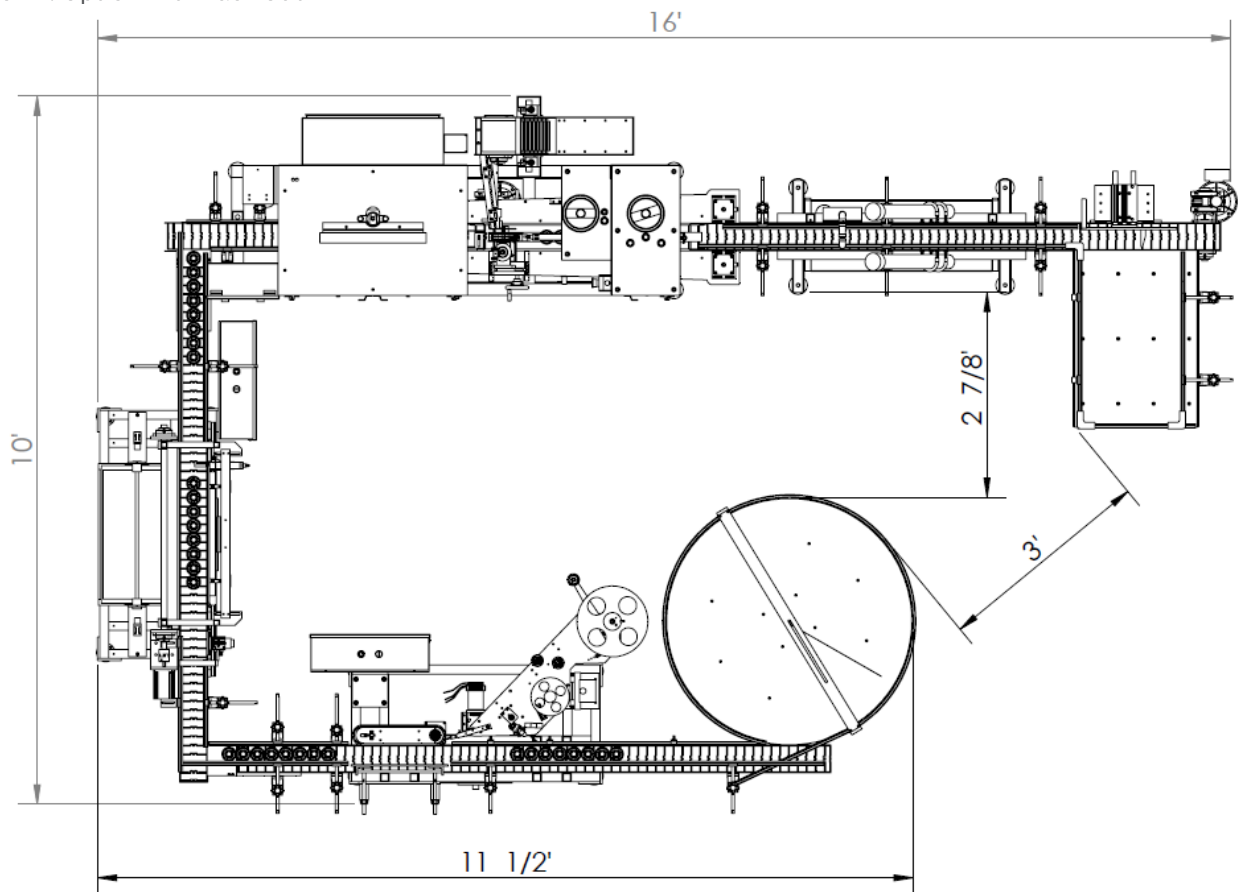
Option 2: Option with 4x5 Table



Option 3: Straight Layout



Option 4: Option with Pack Out



*This will increase the cost of the line

